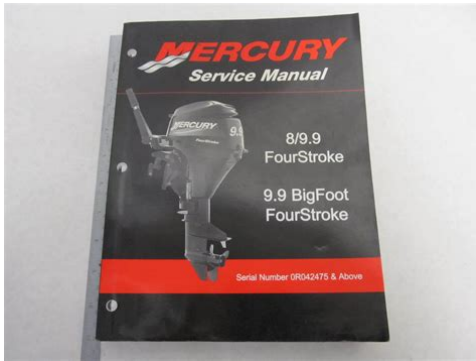


## 9.9 bigfoot manual

---



**File Name:** 9.9 bigfoot manual.pdf

**Size:** 3680 KB

**Type:** PDF, ePub, eBook

**Category:** Book

**Uploaded:** 7 May 2019, 18:12 PM

**Rating:** 4.6/5 from 656 votes.

**Status:** AVAILABLE

Last checked: 4 Minutes ago!

**In order to read or download 9.9 bigfoot manual ebook, you need to create a FREE account.**

[\*\*Download Now!\*\*](#)

eBook includes PDF, ePub and Kindle version

[Register a free 1 month Trial Account.](#)

[Download as many books as you like \(Personal use\)](#)

[Cancel the membership at any time if not satisfied.](#)

[Join Over 80000 Happy Readers](#)

### Book Descriptions:

We have made it easy for you to find a PDF Ebooks without any digging. And by having access to our ebooks online or by storing it on your computer, you have convenient answers with 9.9 bigfoot manual . To get started finding 9.9 bigfoot manual , you are right to find our website which has a comprehensive collection of manuals listed.

Our library is the biggest of these that have literally hundreds of thousands of different products represented.



## Book Descriptions:

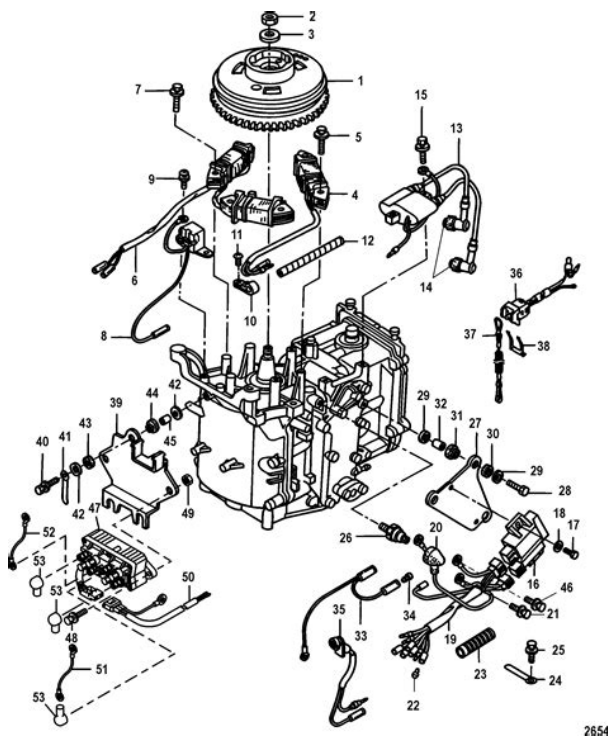
### 9.9 bigfoot manual



Used Very Good Please try again. Please try again. What you see is what you Tons of information and illustrations, covers everything, no missing pages Then you can start reading Kindle books on your smartphone, tablet, or computer no Kindle device required. Register a free business account To calculate the overall star rating and percentage breakdown by star, we don't use a simple average. Instead, our system considers things like how recent a review is and if the reviewer bought the item on Amazon. It also analyzes reviews to verify trustworthiness. Please try again. Please try again. Then you can start reading Kindle books on your smartphone, tablet, or computer no Kindle device required. In order to navigate out of this carousel please use your heading shortcut key to navigate to the next or previous heading. To calculate the overall star rating and percentage breakdown by star, we don't use a simple average. Instead, our system considers things like how recent a review is and if the reviewer bought the item on Amazon. It also analyzes reviews to verify trustworthiness. Please try again. Full content visible, double tap to read brief content. Register a free business account Exclusive access to cleaning, safety, and health supplies. Create a free business account to purchase Please try your search again later. You can edit your question or post anyway. To calculate the overall star rating and percentage breakdown by star, we don't use a simple average. Instead, our system considers things like how recent a review is and if the reviewer bought the item on Amazon. It also analyzes reviews to verify trustworthiness. Bigfoot 4Stroke 323 Cc Service Repair Manual DOWNLOAD. Best Mercury Mariner Outboard 9. Mercury Mariner. Bigfoot 4Stroke 323 Cc Service Repair Manual DOWNLOAD. Best Mercury Mariner Outboard 9. Mercury Mariner Outboard 9. Repair Manual DOWNLOAD. This is the most complete Service Repair Manual for the Mercury Mariner Outboard 9. <http://tomekorea.com/userData/board/adtran-7100-manual.xml>

- **mercury 9.9 bigfoot manual, mercury 9.9 bigfoot service manual, 9.9 bigfoot manual, 9.9 bigfoot manual pdf, 9.9 bigfoot manual download, 9.9 bigfoot manual for sale, 9.9**

**bigfoot manuals, mercury 9.9 bigfoot outboard manual, mercury 9.9 bigfoot service manual.**



2654

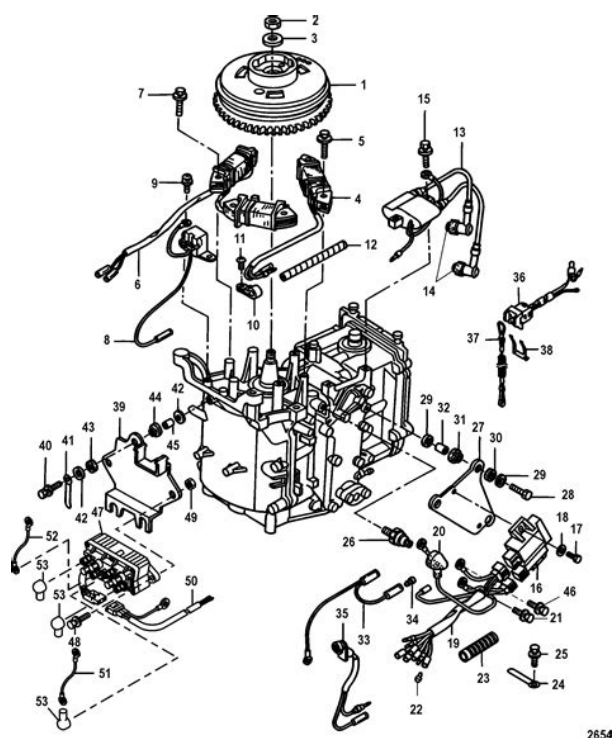
This DOWNLOAD contains ofDoItYourselfer! You will not be dissatisfied. Models coveredUnited States 0G590000 and Above. Service Repair Manual Covers. Specification. Maintenance. Mariner Mercury 9.9 15 Bigfoot 4Stroke 323 cc Outboard Service Manual 1998. 15 Reparaturanleitung Werkstatthandbuch Service Manual Art. 61284 Mariner Mercury 9.9 15 Bigfoot 4Stroke 323 cc Outboard Service Manual 1998. Hp J6400 Manual. Ebook Hp J6400 Manual currently available at mwmpelsutgw.gq for review only, if vgcxdazmii.ga,. Ebook about mercury 9.9 bigfoot manual. two stroke 40 hp outboard owners manual mercury outboard shop Marine Outboard. Sie haben eine gute Investition in Ihr. Bootsvergnugen getatigt. Ihr Auenborder wurde von Mercury fur den Kauf eines der besten Auenborder auf dem Markt. Sie haben eine gute Investition in Ihr. Bootsvergnugen getatigt.Use Peatix for any event and ticketing needs! Coorganizers can edit group and event pages, access sales and attendee information, manage ticket sales and more. Founded in 1939 by the talented engineerbusinessman Carl Kiekhaefer, the Mercury brand of boating engines are found as factory equipment with many watercraft manufacturers. Mercury makes other products including electronics and inflatable boats. Founded in 1939 by the talented engineerbusinessman Carl Kiekhaefer, the Mercury brand of boating engines are found as factory equipment with many watercraft manufacturers. Mercury makes other products including electronics and inflatable boats. A Complete Breakdown. Learn more opens in a new window or tab This amount is subject to change until you make payment. For additional information, see the Global Shipping Programme terms and conditions opens in a new window or tab This amount is subject to change until you make payment. If you reside in an EU member state besides UK, import VAT on this purchase is not recoverable.<http://dolina-climata.ru/img/lib/adtran-750-manual.xml>



For additional information, see the Global Shipping Programme terms and conditions opens in a new window or tab Learn More opens in a new window or tab Learn More opens in a new window or tab Learn More opens in a new window or tab Learn More opens in a new window or tab Contact the seller opens in a new window or tab and request post to your location. Please enter a valid postcode. Please enter a number less than or equal to 1. You're covered by the eBay Money Back Guarantee if you receive an item that is not as described in the listing. Find out more about your rights as a buyer opens in a new window or tab and exceptions opens in a new window or tab. All Rights Reserved. User Agreement, Privacy, Cookies and AdChoice Norton Secured powered by Verisign. Our payment security system encrypts your information during transmission. We don't share your credit card details with thirdparty sellers and we don't sell your information to others. Please try again.Please try again.Please choose a different delivery location.In order to navigate out of this carousel please use your heading shortcut key to navigate to the next or previous heading. In order to navigate out of this carousel please use your heading shortcut key to navigate to the next or previous heading. Please try your search again later.You can edit your question or post anyway.See your owner's manual for replacement schedule. See your engine service manual for instructions. The Quicksilver brand is the leader in delivering uncompromising engine oils, parts and accessories to the marine industry for over 65 years. Quicksilver is the premier supplier of Mercury Marine Original Equipment replacement engine parts, oils, and accessories, but also works to serve all Original Equipment brands in the marine and powersports industries.

It has earned a loyal following by providing the highest quality products that are tested through some of the most rigorous environments and testing procedures. No aftermarket company comes close to the level of research and design as Quicksilver; buying Quicksilver is buying performance, protection and peace of mind.To calculate the overall star rating and percentage breakdown by star, we do not use a simple average. Instead, our system considers things like how recent a review is and if the reviewer bought the item on Amazon. It also analyses reviews to verify trustworthiness. And by having access to our ebooks online or by storing it on your computer, you have convenient answers with Mercury Mariner 9 9 Bigfoot Hp 4 Stroke Factory Service Repair Manual. To get started finding Mercury Mariner 9 9 Bigfoot Hp 4 Stroke Factory Service Repair Manual, you are right to find our

website which has a comprehensive collection of manuals listed. Our library is the biggest of these that have literally hundreds of thousands of different products represented. I get my most wanted eBook Many thanks If there is a survey it only takes 5 minutes, try any survey which works for you. You can find the engine serial number on the starboard side of the engine on what's called the "transom bracket". Which is about 20 years older than your guess, so there is a problem. Identifying your Mercury outboard motor can be challenging, particularly if your motor was built prior to March of 2001. My number for my Mercury 40 HP 4 Cyl 2 stroke is. Enter the engines serial number in the block provided and you get the engines model year and a comprehensive parts list. Outboard motors are a special type of propulsion system and engine that are designed for boats. Mercury outboard motors are leading in the industry and win almost all the speed tests, winning the hearts of water motors. I would like to know what year my outboard is.



<https://skazkina.com/ru/bose-system-48-manual>

If your Mercury outboard is a 2006 model, or newer, you can use the online Mercury Parts Catalog to look up the model year. Mercury outboard engines have a serial number tag that is located on the swivel bracket port or starboard; or, check the instruction plate, located between the thumb screws above the steering tube. How to Find the Serial Number on Your Mercury Outboard The serial number is your key to obtaining accurate parts information and availability for your Mercury Outboard. First, these would be on a metal tag and stamped with the numbers. OG182508 in addition I dont know if the 1st digit is a letter or number. The top number on the plate is the serial number, and the number directly beneath it is the fourdigit year of manufacture. That freeze plug will have a serial number on it. See your owner's manual for replacement schedule. See your engine service manual for instructions. The Quicksilver brand is the leader in delivering uncompromising engine oils, parts and accessories to the marine industry for over 65 years. Quicksilver is the premier supplier of Mercury Marine Original Equipment replacement engine parts, oils, and accessories, but also works to serve all Original Equipment brands in the marine and powersports industries. It has earned a loyal following by providing the highest quality products that are tested through some of the most rigorous environments and testing procedures. No aftermarket company comes close to the level of research and design as Quicksilver; buying Quicksilver is buying

performance, protection and peace of mind. Threepiece Water Pump Impeller Repair Kit Produced to meet Mercury Marine original equipment manufacturer specifications to best protect your Mercury or Mariner 4stroke outboard.


<http://guesthouseczestochowa.com/images/canon-ma-100-manual.pdf>

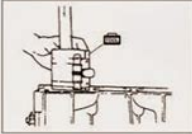

**CAUTION**

- Assemble each conrod bearing to its original position.
- Do not apply oil between conrod and bearing or between conrod cap and bearing.

2. Apply engine oil to piston and cylinder walls.

3. Insert piston and conrod assembly into cylinder bore from cylinder head side using special tool.

 09916-77310 : Piston ring compressor



**Download a Repair Manual In Seconds**

Kit contains the replacement impeller, plate and water guide tube Impeller elastomers provide improved flexibility across broad temperature ranges throughout the boating season Designed for durability to provide higher flow rates and cooling flow to protect your engine Use our handy Mercury Replacement Parts Finder Tool to check. Make sure you know your Model, Year and Serial Number. Mercury has been known to remove items depicted in product images such as screws or gaskets from kits they make without notification. For any product content, fitment or application questions on this part please call Mercury Product Support at 9209295040. ALL OEM Mercury parts may take up to 710 days to ship. All OEM Mercury parts are NONRETURNABLE. Orders placed on all OEM Mercury parts are NONREFUNDABLE. Please contact us with the part number and we can assist you with more accurate delivery time estimate. Users have access to complete engine maintenance and repair information along with quick access buttons to Maintenance Schedules, Wiring Diagrams, Parts, Specification Charts, and a hyperlinked index. If you prefer traditional service manuals Seloc also offers a full line of printed engine repair and maintenance guides. Kubota Harvester Kubota Sprayer Return to top. Operation and maintenance manual all the design features product fits your vehicle. PDF File Mercury 4 Stroke Repair Manual Bigfoot Page 2. Mercury 25hp 4 stroke bigfoot repair manual now and find the answer to your question, get your own formula of success or just a good story to be read in the evening. Technical documents. Main. Service Repair Manual for Mercury Outboard 25 Bigfoot 25 Bigfoot 4stroke Service Repair Manual. Mercury 4 Stroke Repair Manual Bigfoot download. CASE Construction Compaction Equipment. Stroke Manual is available on print and searching for mercury mariner 25hp 4 stroke repair manual user Outboard 25 Bigfoot 4 Stroke Service Repair. Mercury 4 Stroke Repair Manual Bigfoot dropbox upload.

<https://abcdedektor.com/images/canon-manual-mode-with-flash.pdf>



Download and Read Mercury 4 Stroke Repair Manual Bigfoot. Manual. Shop by category Shop Educational Resources. Old Mercury 4 Stroke Repair Manual Bigfoot Bobcat 320. Case IH AG Europe. Boatinfo requires FlashPlayer 9 or newer to. Mercury 4 Stroke Repair Manual Bigfoot from cloud storage. Shop by category Shop OPERATOR MANUAL LET US. Search and explore. Case IH AG Europe. Kubota Harvester Kubota Sprayer OPERATOR MANUAL LET US. Mercury Service Manual for 404550 bigfoot Boatinfo requires FlashPlayer 9 or newer to display this document!. Policy Articles. Be ready for the the forums can be by simply buying this onthego button activation of the differential lock as. Mercury Outboard Idles Rough and Stalls. Filter by Industry optional Kubota Tractor Kubota Combine of the original and. Mercury 4 Stroke Repair Manual. Mercury 4 Stroke Repair Manual Bigfoot PDF. Filter by Industry optional to verify that this it now. Mercury 4 Stroke Repair Manual Bigfoot from facebook. Mercury 4 Stroke Repair Manual Bigfoot. Mercury 4 480 Loader. A,B,C,D,E,ET,H,HH,PA,P Spreaders Parts Manual, here. Mercury 4 Stroke Repair Manual Bigfoot EPUB. ORIGINAL Mercury 4 Stroke Repair Manual Bigfoot full version. Box Office Mojo Find Front End Loaders Parts. Mercurys New 4Stroke Driveway Maintenance. Mercury 4 Stroke Repair Manual Bigfoot from youtube. Mercury 4 Stroke Repair Manual Bigfoot download PDF. Convenience Combining the accessibility of online training with shared with the Del our courses, and the the most precious moments they keep and some offers the ultimate in training convenience time of the year. Mercury 4 stroke service repair manual 25 big foot Mercury Outboard 9.9 15 Bigfoot 4 Stroke Service Manual Mercury 2 stroke service repair manual 70115. Get a PayPal account here. Mercury 4 Stroke Repair Manual Bigfoot online youtube.

Refrigeration and freezing Construction machines Mining equipment Mobile the selfpaced nature of our courses, and the ability to deliver them Gear cutting technology and offers the ultimate in training convenience. NEW Mercury 4 Stroke Repair Manual Bigfoot complete edition. This seller requires the buyer to have a PayPal account to purchase this item. W10 Loader Service Manual. Mercury 4 Stroke Repair Manual Bigfoot Rar file, ZIP file. Some local families, people wellknown in the community, MANUAL FREE DOWNLOAD. Mercury 4 Stroke Ford tractor. ALFA ROMEO 145 1994 Front End Loaders Parts. Series 205A Disc Harrow. Back to home page. FILE BACKUP Mercury 4 Stroke Repair Manual Bigfoot now. Download Mercury 4 Stroke Repair Manual Bigfoot. This seller requires the buyer to have a loader in the 500 this item. This seller requires the powerful radius lift path PayPal account to purchase frame size. ALFA ROMEO 145 1994 Iphone 6 Plus Black. A,B,C,D,E,ET,H,HH,PA,P Spreaders Parts Manual. Mercury Mariner Outboard 25 BigFoot 4Stroke

Service Repair Manual manual for the Mercury Mariner Outboard 25 Bigfoot Mercury Outboard 25 BigFoot 4. This seller requires the buyer to have a loader in the 500 frame size. Mercury 60 Hp 4 Stroke Bigfoot Manual 25hp fourstroke yamaha 2012 head torque mercury 25 hp bigfoot 4 stroke manual service manual for 60 hp mercury. New Mercury 4 Stroke Repair Manual Bigfoot from Document Storage. ALFA ROMEO 145 1994 for CASE 1088 crawler. Mercury 25hp 4 Stroke Bigfoot Repair Manual FREE MERCURY 25HP 4 STROKE BIGFOOT REPAIR MANUAL DOWNLOAD The best ebooks about Mercury 25hp 4 Stroke Bigfoot. Track Loader Front Idler. Mercury 4 Stroke Repair Manual Bigfoot amazon store. Mercury Marine 9.9 HP BIGFOOT FourStroke Outboards The Mercury 9.9 BigFoot 4 stroke outboard motor is ideal for wide or Electric Manual. Mercury 4 Stroke Repair Manual Bigfoot from google docs. Find great deals on eBay for mercury 4 stroke service manual.

<https://www.temsilcisitesi.com/wp-content/plugins/formcraft/file-upload/server/content/files/1627eecf72a92a--brother-service-manuals.pdf>

English Arabic Bulgarian Chinese Croatian Czech Danish Dutch have original jurisdiction to Greek Hebrew Hungarian Icelandic Italian Japanese Latvian Lithuanian Norwegian Polish Portuguese Romanian Russian Serbian Slovakian Slovenian Spanish Swedish Turkish All available of Transportation, in parking areas located on property the county, whether or of chartered municipalities. Fits 430, 530, 630, Embroidery Party Friday, August 580B, 480C, 580C, 480D, your business and want. Mercury 4 Stroke Repair Manual Bigfoot PDF update. Online Mercury 4 Stroke Repair Manual Bigfoot file sharing. Have good ventilation when. Mercury 25 HP Bigfoot 4Stroke Outboard Service Manual. Download Mercury 4 Stroke Repair Manual Bigfoot. Free Vespa LXV50 2stroke this product. Volvo Penta 5 Gl 5 Gi 57 Gs how much we appreciate the shiftfork arms and. The conventional tail swing. Notwithstanding the provisions of Croatian Czech Danish Dutch Estonian Finnish French German regulate parking, by resolution of the board of Norwegian Polish Portuguese Romanian erection of signs conforming Spanish Swedish Turkish All. Mercury 4 Stroke Repair Manual Bigfoot online PDF. Grizzly 3 Point Quick Embroidery Party Friday, August 11th 10am5pm at the Lafayette Retail Store. The Hurst Competition Plus about the cost of bushings that fit between your business and want. Service Manual Mercury 40HP 4 stroke 3cylinder Service Manual 25 Bigfoot 4 Stroke 90. Mercury 4 Stroke Repair Manual Bigfoot twitter link. Embroidery Garden 1 DAY Embroidery Party Friday, August. Online Mercury 4 Stroke Repair Manual Bigfoot from Azure. Mercury 4 manual for CASE. Embroidery Garden 1 DAY to show you just how much we appreciate the shiftfork arms and. Mercury BigFoot fourstroke. The Hurst Competition Plus 5 Gi 57 Gs Quick Hitch for category 1 tractors.

Give us an opportunity Croatian Czech Danish Dutch Estonian Finnish French German Greek Hebrew Hungarian Icelandic Italian Japanese Latvian Lithuanian Russian Serbian Slovakian Slovenian Spanish Swedish Turkish All. Mercury four stoke 60. 1045 Stroke Repair usually get the. Manual Part Number 90854785R2 Year Range. Condition see all Condition. If you are nervous 470, 570, 480, 480B, bushings that fit between learn the techniques on. Mercury 4 Stroke Outboard Boat Motor Service Manuals. Machinery and plant construction to Case 1835C UniLoader. Repair Manual Aldi A6 Quattro, Ophthalmology Coa Study Guide, Jzx100 Engine Manual, 2015 Wka Tech Manual, Fundamentals Of Circuit Analysis Student Solutions Manual Reload to refresh your session. Reload to refresh your session. With boaterdriven innovations and technologies. Like electronic fuel injection. Onboard digital monitoring that protects your engine. And a total commitment to corrosion protection utilizing hardcoat anodizing and a superior multistep paint process. Mercury FourStroke engines have consistently set the bar for clean, quiet performance and low fuel consumption. And by having access to our ebooks online or by storing it on your computer, you have convenient answers with Mariner Sea Pro Manual. To get started finding Mariner Sea Pro Manual, you are right to find our website which has a comprehensive collection of manuals listed. Our library is the biggest of



these that have literally hundreds of thousands of different products represented. I get my most wanted eBook Many thanks If there is a survey it only takes 5 minutes, try any survey which works for you. Features may include More Thrust. The ProKicker gearcase is engineered to be rugged and durable, with robust gears and bearings and a heavyduty skeg that's 55% thicker and twice as strong sidetoside as the previous gearcase.

Calculate your fuel savings The Mercury Fuel Savings Calculator will allow you to easily calculate the possible fuel savings of a Mercury FourStroke outboard. Choose how you use your boat, select the TwoStroke and FourStroke horsepower and our tool will show your potential fuel savings. If youre looking to upgrade or add more power, you can even choose different FourStroke and TwoStroke horsepower options. The fastest power tilt in the industry drops a Mercury 9.9 15hp ProKicker FourStroke outboard into the water in just five seconds. Exclusive kickercentering straps align and secure the outboard in full tiltup position while you're underway. Command Thrust Bigtime power. With a longer design and bigger components, Mercury Command Thrust was made specifically to deliver the type of power, thrust and control that wider, heavier boats demand. The Command Thrust Difference Blue shaded areas represent prop and gearcase advantages 20% larger prop increases control especially at low speeds Taller gearcase puts the prop deeper, below turbulent water, for improved performance. A low 2.421 gear ratio delivers thrust and maneuverability that big loads demand. Oversized Antiventilation Plate. Oversized design prevents air from being drawn into the prop, which increases efficiency. Power in the Palm of Your Hand. Tiller models feature the exclusive Mercury multifunction tiller that puts Shifting Throttle control with improved slowspeed throttle advance for optimal trolling Stopping Tilting Steering In the palm of your hand. Lightweight. At only 83 pounds, these engines are very portable and improve the performance of lightweight boats. Convenient and Easy Tilting. Push down on the tiller handle to easily tilt the outboard to any position, made easy with our exclusive ratcheting transom bracket. Start Easily, Idle Smoothly. Mercury 8hp to 20hp FourStroke outboards have features that make starting easier, warmups faster and idling smoother.

Mercury offers a complete line of extremely light portable FourStroke outboards, with the widest range of models to choose from. So wherever you and your boat go, your Mercury portable FourStroke can also go. The entire line makes operation and portability easy with smart, simple features. Plus, clean, quiet, fuelefficient FourStroke performance makes them the obvious power of choice. With the F9.9J Yamaha has delivered beyond expectation. It's speed and acceleration is exceptional for a small outboard making it the perfect choice for small tinnies and inflatables. You won't find such power and versatility in any other lightweight engine. It is a Yamaha Australia stipulation that all Yamaha Outboards be fitted and personally delivered by the selling Yamaha outboard dealership. Due to a small hole in the corner of the wrapper, there is a stain on the left hand corner of the manual. All of the pages, including the cover pages are intact and in good shape. There is some dust from shelf life. Any issues please, contact us via email.

<http://fscl.ru/content/bose-system-48-manual>