



File Name: bunn icb twin programming manual.pdf

Size: 2824 KB

Type: PDF, ePub, eBook

Category: Book

Uploaded: 14 May 2019, 21:19 PM

Rating: 4.6/5 from 803 votes.

Status: AVAILABLE

Last checked: 11 Minutes ago!

In order to read or download bunn icb twin programming manual ebook, you need to create a FREE account.

[**Download Now!**](#)

eBook includes PDF, ePub and Kindle version

[Register a free 1 month Trial Account.](#)

[Download as many books as you like \(Personal use\)](#)

[Cancel the membership at any time if not satisfied.](#)

[Join Over 80000 Happy Readers](#)

Book Descriptions:

We have made it easy for you to find a PDF Ebooks without any digging. And by having access to our ebooks online or by storing it on your computer, you have convenient answers with bunn icb twin programming manual . To get started finding bunn icb twin programming manual , you are right to find our website which has a comprehensive collection of manuals listed.

Our library is the biggest of these that have literally hundreds of thousands of different products represented.



Book Descriptions:

bunn icb twin programming manual



Bunnomatic Corp. "BUNN" warrants equipment manufactured by it as follows
Page 3 Introduction
INTRODUCTION It is only for indoor use. Page 4 Programming Flow Chart ICB PROGRAMMING THE BREWER
Page 9 Programming With Recipe Card PROGRAMMING WITH RECIPE CARD The RECIPE CARD includes. Page 10 Programming With Ad Card PROGRAMMING WITH AD CARD The information is loaded. Page 11 Programming PROGRAMMING THE BREWER
Page 12 PROGRAMMING THE BREWER cont. This function allows the operator to select. Page 13 PROGRAMMING THE BREWER cont. Page 14 PROGRAMMING FUNCTIONS LEVEL 2 cont. This will Setting Pulse. Page 15 PROGRAMMING FUNCTIONS LEVEL 2 cont. Page 16 PROGRAMMING FUNCTIONS LEVEL 2 cont. This. Page 18 PROGRAMMING THE BREWER cont. Page 19 PROGRAMMING THE BREWER cont. Page 20 PROGRAMMING THE BREWER cont. Page 21 PROGRAMMING THE BREWER cont. This. Page 22 PROGRAMMING THE BREWER cont. Range 0 to 155. Page 23 PROGRAMMING THE BREWER cont. Page 24 PROGRAMMING THE BREWER cont. NOTE If the display is already on the DILUTION. Page 26 PROGRAMMING THE BREWER cont. This function allows the. Page 27 PROGRAMMING THE BREWER cont. Page 28 PROGRAMMING THE BREWER cont. This function allows. Page 29 Troubleshooting TROUBLESHOOTING
Page 31 TROUBLESHOOTING cont. Page 36 TROUBLESHOOTING cont. Refer to the Water overflows filter. Page 39 TROUBLESHOOTING cont. You should have JavaScript enabled in your browser to utilize the functionality of the website Parts Town and 3Wire have joined forces and teamed up with IPC, combining the team you know with the largest inventory in the industry and cutting edge technology to give you the absolute best experience. Things look a little different, that's true, but you are indeed in the right place. Hi there, welcome to Parts Town. Parts Town and 3Wire have joined forces and teamed up with NDCP, combining the team you know with the largest inventory in the industry and cutting edge technology to give you the absolute best experience. <http://www.cargoservice.pl/cargoservice/userfiles/del-air-cool-2665-manual.xml>

- **bunn icb twin programming manual, bunn icb twin programming manual, bunn icb twin programming manual pdf, bunn icb twin programming manual download, bunn icb twin programming manual 2017, bunn icb twin programming manual free.**



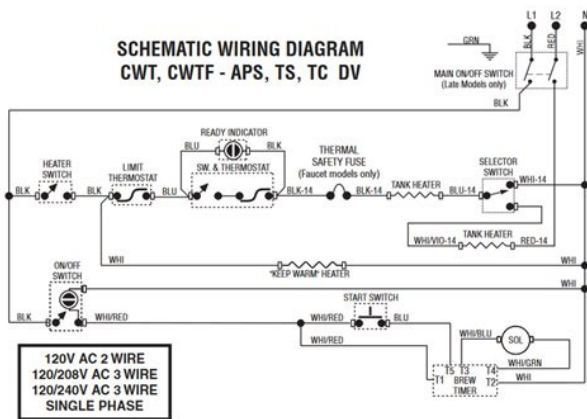
Things look a little different, thats true, but you are indeed in the right place. Hi there, welcome to Parts Town. Parts Town and 3Wire have joined forces and teamed up with SMS, combining the team you know with the largest inventory in the industry and cuttingedge technology to give you the absolute best experience. Things look a little different, thats true, but you are indeed in the right place. Hi there! RSCS and Parts Town have joined forces, combining the team you know with the largest inventory in the industry and cuttingedge technology to give you the absolute best experience. Things look a little different, thats true, but you are indeed in the right place. Hi there, welcome to Parts Town. Parts Town and 3Wire Foodservice have joined forces. Now youll work with the great team you know, while having access to the largest inventory in the industry and cuttingedge technology. Things look a little different, thats true, but you are indeed in the right place. Lets go! Continue to Parts Town What You Can Expect Always Genuine OEM The Most InStock Parts on the Planet Breakthrough Innovations Exceptional Customer Experience Same Day Shipping Ready to get started. Lets go! Continue to Parts Town Looking for beverage equipment parts. Marmon Link is the new home for genuine OEM parts for the Marmon family of equipment manufacturers. Find beverage dispense parts and accessories, as well as parts for Cornelius, Prince Castle, Silver King, Angelo Po, and Saber King units. Continue to Marmon Link Please try again later. Please try again later. No worries, it's really easy. No need to remember another username, you will now use your email address. Its listed below. Once logged in you can view pricing and order these parts. OK Please try again. We commit to carrying additional stock of these critical items to help ensure they are always available when you need them. No need to type it all again. That just makes things WAY easier.<http://pashtriku.org/fckeditor/del-triopure-manual.xml>



Plus, you'll be able to access any discounts or contract pricing that may be available to you. That's important. The real question is, why wouldn't you log in? Everybody loves cookies. Okay, they're not those kind of cookies, but they're still great. Two programmable batch switches allow full and half batch brewing. DBC grinder communicates with brewer through Smart Funnel. Display capable of showing English or Metric measurements. Plumbing 2090 psi 138621 kPa. They are simple to service and feature technician-free installation and startup. Display shows low battery symbol when replacement is needed. Plus guaranteed best prices. Infusion Series. PROGRAMMING MANUAL. BUNNOMATIC CORPORATION. These warranty periods run from the date of installation. BUNN warrants that the equipment manufactured by it will be commercially free of defects in material and workmanship existing at the time of manufacture and appearing within the applicable warranty period. This warranty does not apply to any equipment, component or part that was not manufactured by BUNN or that, in BUNN's judgment, has been affected by misuse, neglect, alteration, improper installation or operation, improper maintenance or repair, damage or casualty. This warranty is conditioned on the Buyer 1 giving BUNN prompt notice of any claim to be made under this warranty by telephone at 217 5296601 or by writing to Post Office Box 3227, Springfield, Illinois 627083227 2 if requested by BUNN, shipping the defective equipment prepaid to an authorized BUNN service location and 3 receiving prior authorization from BUNN that the defective equipment is under warranty. Accordingly, statements by such individuals, whether oral or written, do not constitute warranties and should not be relied upon. Shop Online and Parts Ship Today. Call us at 1800 4585593 Find Bunn manuals at Parts Town. Call 8004585593 Not to worry, partstown.com is ready to help. Please place this order and all future international orders there.

This machine brews coffee into 1 gallon and 1.5 gallon airpots, so you can easily transport the coffee to meeting rooms or other areas if needed. You can brew a full pot or a half pot, as well as program numerous options such as brewing temperature, coffee recipes, and water bypass. You can also program the digital screen to display an advertisement of up to 32 characters on two separate lines. This machine is plumbable, so you can connect it directly to a water source. This is especially convenient when serving coffee in places like meeting rooms. Below the digital screen are three separate brew buttons, labeled A, B, and C, allowing you to brew different blends. These buttons also control programming functions when the programming mode is activated. Use the buttons to scroll through options and select your preferences for coffee recipe, water bypass, water temperature, pulse brew, drip time, and more. You can also use the infusion series buttons to brew either a half or a full batch of coffee. The voltage is adjustable from 120V to 208/240V. Open the coffee spout and run clean water through it to flush out any residue. Recalibration may be necessary after cleaning the sprayhead. Descaling keeps the Bunn ICB functioning at its best by removing the

lime scale buildup that can form inside of the machine's brewing components. Be the first to review this product! Designed for optimal performance and efficiency, this brewer holds 2 1.5L Soft Heat servers sold separately, allowing you to double your production output over single brewers. To ensure highquality results, this brewer uses an exclusive Peak Extraction sprayhead, which features a 17hole design for excellent uniformity. The electronic funnel lock keeps the funnel in place until driphrough is complete. Professional industry installation and proper water filtration required. This does not necessarily mean the item is dual voltage.



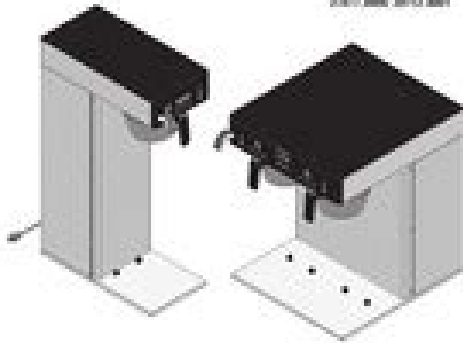
<https://www.becompta.be/emploi/3gs-service-manual>

Please refer to all spec sheets and manuals for more details and specific installation requirements. Contact your electrician for help ensuring your equipment's electrical specifications are right for your business. All multicup coffeemaking machines water levels can be adjusted on all their machines. Bunn refers to altering the amount of water for pot of coffee as adjusting the brew level on the machine. Adjusting the brew level can be raised or lowered with a press of a button. See if the tank is filled to the recommended level for the model you have. If the machine has a water line attached, check the connections on the line to make sure it is supplying water as it should. This switch is located on the switchboard if needed, remove the back of the machine to access the switch. Release the button as soon as the clicks are heard. If the button is pressed for two seconds after the click, the setting will not change. Each press of the button will increase the amount of water released by the coffeemaker by two seconds. This will change the amount only for this brewing. Press and hold the button until three clicks are heard and release. This will decrease the amount of water released. This will change the amount only from this brewing. Watch as the machine releases water. He is a mortgage specialist with over 12 years of experience as well as an expert in financing, credit, budgeting and real estate. Michael holds licenses in both real estate and life and health insurance. Show Comments. Using the online preview, you can quickly view the contents and go to the page where you will find the solution to your problem with Bunn TWIN INFUSION SERIES ICBDV. To start viewing the user manual Bunn TWIN INFUSION SERIES ICBDV on full screen, use the button Fullscreen. However, if you do not want to take up too much of your disk space, you can always download it in the future from ManualsBase.

<http://germanbandhsv.com/images/boston-acoustics-service-manuals.pdf>

BUNN

*ICBA, ICBB, ICBC,
ICB-DV, ICB Twin
Infusion Series®
with Smart Funnel®
Superior Coffee Brewer
2011 2000, 2012 2001*



INSTALLATION & OPERATING GUIDE

BUNN-O-MATIC CORPORATION OF CANADA
280 INDUSTRIAL PARKWAY
BURNHAMTHORPE, ONTARIO L4J 8T9
PHONE: (905) 881-2288 FAX: (905) 881-2178

To ensure you have the latest version of the Operating Manual, go to www.bunn.com to download the latest Operating Manual. If a newer Manual is available, please visit the Bunn website. If you are unable to access the website, please contact your distributor for more information. For technical support, contact Bunn Customer Support at (905) 881-2288.



The option to print the manual has also been provided, and you can use it by clicking the link above Print the manual. You do not have to print the entire manual Bunn TWIN INFUSION SERIES ICBDV but the selected pages only. paper. If you want to quickly view the content of pages found on the following pages of the manual, you can use them. The Dual Voltage model can be easily con. The brewer may have an auxillary hot water faucet. It is only for indoor use on a sturdy and level counter or shelf. Please install in an area where there are no water jet devices. The Infusion Series, similar to the DBC BrewWISE, incorporates a wireless interface system that allows the MHG or DBC Grinders to loaInstall a regulator in the line when pressure is greater than 90 psi 620 kPa to reduce it to 50 psi 345 kPa.Select the desired batch size. 7. Momentarily press and release the assigned BREW button. There may be certain situationDo NOT clean this equipment with a water jet device. 2. Check and clean each sprayhead. The sprayhead holes must always remain open. NOTE Any buildup on the sprayhead and.For consistently great coffee, clean sprayhead and.Used for loading advertising messages into the brewer. AUTO PULSE BREW SETUP The setting of a pulse brew routine by entering in the total desired water delivery time. The brewer will then calculate and perform a pulse brew routine using a predetermined formula. BREW LOCKOUT The inability to initiate a brew if the water temperature is less than the ready temperature programmed into the brewer. BYPASS The The parameters are unique for each coffee name. Coffee recipes include brew ounces, bypass percentages, pulse brew or preinfusion and drip time. RECIPE CARD An assembly consisting of a computer chip and an instruction label. Used for loading a recipe into the brewer and the companion DBC or MHG Grinder.

<http://americanpatriotbeer.com/images/boston-acoustics-solo-manual.pdf>



SANITATION MODE If enabled, the brewer will display a message after a set amount of time indicating the machine. This allows for the precise brewing of various. There is one function in Level 1. All other functions are accessed in Level 2. The following function screens are in order of appearance. Each screen will have instructions on how to access and the procedures for programming the various functions of the brewer.

Procedure for setting Brew Lockout 1. To access this function screen press and hold the right hidden button. Release when the display reads BREW LOCKOUT. NO DONE YES BREW BREW BREW A B C Press here Press here Press here for NO for DONE for YES 2. The YES or NO should be flashing. Select YES

To access the level 2 function screens press and hold the right hidden button. Release when the display SET LANGUAGE This function allows the operator to select the language used for the display. **Procedure for setting Language 1.** Press and hold the right hidden button until the display reads SET LANGUAGE **Procedure for setting the Units 1.** Press and hold the right hidden button until the display reads SET LANGUAGE. Press and release the right hidden button until the display reads UNITS. The METRIC or ENG should be flashing. 2. Select METRIC to have settings displayed in Metric units. Select ENG to have setting d. These warranty periods run from the date of installation. Bunn warrants that the equipment manufactured by it will be commercially free of defects in material and workmanship existing at the time of manufacture and appearing within the applicable warranty period. This warranty does not apply to any equipment, component or part that was not manufactured by Bunn or that, in Bunn's judgement, has been affected by misuse, neglect, alteration, improper installation or operation, improper maintenance or repair, non periodic cleaning and descaling, equipment failures related to poor water quality, damage or casualty.

In addition, the warranty does not apply to replacement of items subject to normal use including but not limited to user replaceable parts such as seals and gaskets. This warranty is conditioned on the Buyer 1 giving Bunn prompt notice of any claim to be made under this warranty by telephone at 905 or by writing to 280 Industrial Parkway South, Aurora, Ontario, L4G 3T9. 2 if requested by Bunn, shipping the defective equipment prepaid to an authorized Bunn service location; and 3 receiving prior authorization from Bunn that the defective equipment is under warranty. THE FOREGOING WARRANTY IS EXCLUSIVE AND IS IN LIEU OF ANY OTHER WARRANTY, CONDITION, WRITTEN OR ORAL, EXPRESS OR IMPLIED, INCLUDING, BUT NOT LIMITED TO, ANY IMPLIED WARRANTY OF EITHER MERCHANTABILITY, MERCHANTABILITY OR FITNESS FOR A PARTICULAR PURPOSE. The agents, dealers or employees of Bunn are not authorized to make modifications to this warranty or to make additional warranties that are binding on Bunn. Accordingly, statements by such individuals, whether oral or written, do not constitute warranties and should not be relied upon. The brewer may have an auxiliary hot water faucet. It is only for indoor use on a sturdy and

level counter or shelf. This information includes what flavor of coffee is being ground and what batch size will be brewed half or full. Once the correct flavor name and amount of coffee is ground, the funnel is loaded into the brewer. The information from the funnel handle is then transferred into the brewer. The brewer then takes this information and dispenses the amount of water preset in the brewer for that particular flavor of coffee and batch size. The brewer can also be programmed to adjust different functions of the brewing process, such as brew temperature, brew volumes, bypass percentages, pulse brew, etc.

<http://www.uvhk.com/wp-content/plugins/formcraft/file-upload/server/content/files/1626d29f01f5bf--case-588g-manual.pdf>

The Infusion Series Coffee Brewer is able to brew both hot tea and coffee with recipe settings and has the following features ByPass, PreInfusion and Pulse Brew, BrewWISE, and LCD for digital readout and programming along with the Smart Funnel options for coffee. Other features are Energy Savings mode, BUNNLink compatible, Smart Reader compatible, Freshness Timer and Sanitation Alert. All labels on the equipment should be kept in good condition. Replace any unreadable or damaged labels. This equipment must be installed to comply with the International Plumbing Code of the International Code Council and the Food Code Manual of the Food and Drug Administration FDA. Authorized service personnel only. Trained personnel are to follow instructions provided for software programming. Use of additional graphic layer requires disabling of appropriate switches. Read all instructions for additional graphic layer prior to installing and programming. Une programmation incorrecte peut donner accidentellement une distribution deau CHAUDE. WARNING The brewer must be disconnected from the power source until specified. WARNING The power cord must be CSA Listed, Flexible Cord Type SO, SJO, SJTO, HSJO or SJOW, Rated 90 C, and the attachment plug cap must be CSA Listed, in order to avoid a hazard. The Power Supply Cord must be at least 3 feet long and maximum 6 feet long measured from Strain Relief to end of the Attachment Plug Cap. If plumbing has been hooked up, the brewer is ready for Initial SetUp. Page For proper operation, this appliance must be installed where the temperature is between 5 C to 35 C. Appliance shall not be tilted more than 10 for safe operation. An electrician must provide electrical service as specified in conformance with all local and national codes. This appliance must not be cleaned by water jet.

This appliance is not intended for use by persons including children with reduced physical, sensory or mental capabilities, or lack of experience and knowledge, unless they have been given instructions concerning use of this appliance by a person responsible for its safety. Children should be supervised to ensure they do not play with the appliance. If the power cord is ever damaged, it must be replaced by the manufacturer or authorized service personnel with a special cord available from the manufacturer or its authorized service personnel in order to avoid a hazard. A shutoff valve should be installed in the line before the brewer. Install a regulator in the line when pressure is greater than 90 psi 620 kpa to reduce it to 50 psi 345 kpa. The water inlet fitting is NH HOSE THREAD. BunnOMatic does not recommend the use of a reverse osmosis or deionized water supply to this equipment. REQUIRED 1.0 gpm 3.78 lpm flow rate from water supply line. A tight coil of tubing in the water line will facilitate moving the brewer to clean the countertop. BunnOMatic does not recommend the use of a saddle valve to install the brewer. The size and shape of the hole made in the supply line by this type of device may restrict water flow. This equipment must be installed to comply with the National Plumbing Code of Canada and the Canadian Food Inspection Agency. Plumbing HookUp 1. Flush the water line. 2. Securely attach the adaptor elbow assembly to the water supply line. 3. Securely attach adaptor elbow assembly to the the NH HOSE THREAD fitting at the rear of the brewer. 4. Turn on the water supply. TANK DRAIN 1. Loosen screws that secure the front access panel. Pressing the switch again indicator off stops tank refilling and brewing. Stopping a brew cycle after it has been started will not stop the flow of water into the server until the funnel

is empty. Pressing this switch during programming of the brewer will exit the setup and return to the main screen.

Pressing and releasing the switch steps through each function screen while in the programming mode. E. BATCH SELECTOR SWITCHES Pressing the switch corresponding to the Half or Full batch selects the amount of product to be brewed on the selected side. Pressing a different switch after a brew cycle has been initiated does not change the brew batch in progress. Light indicates the selected batch to brew. Brewer This is used to select options DONE that appear on the display during programming. Display will show PLEASE WAIT. TANK FILLING until tank is filled with water. 5. Wait approximately twentyfive minutes for the water in the tank to heat to the proper temperature. Display will show READY TO BREW. WATER TEMP 200 when tank is at operating temperature. Some water may drip from the funnels during this time; this is due to expansion and should not occur thereafter. 6. Place a small vessel beneath the faucet and open the faucet handle. Release it when you hear the tank refilling. 7. Water volumes and flow settings have been preset at the factory. Refer to programming manual should the volume need to be increased or decreased. 8. The brewer is now ready for use in accordance with the instructions for Coffee Brewing. To view the asset number of the machine, press and hold the left hidden button until the display reads ANXXXXXX.ASSET NUMBER. Release the left hidden button. 6. After a 5 second delay, the display will read ICBXXXXXXX. This is the serial number of the machine. Page 8. Select the desired batch size. 7. Momentarily press and release the assigned BREW button. WITH A SMART FUNNEL AND G92T DBC or MHG GRINDER 1. Select the small batch size on the grinder. 2. Insert a BUNN filter into the funnel. 3. Grind the selected amount of fresh coffee into the Smart Funnel using the G92T DBC or MHG with Smart Funnel operation and level the grounds by gently shaking. 4. Slide the funnel into the funnel rails of the selected side.

The brewer will read the coffee name and size ground through the chip in the funnel handle. Check batch size. 8. If none of the above messages are displayed, the display will read NOW BREWING and show the time remaining in the brew cycle. Arrows will point to the side that is brewing. If both sides are brewing simultaneously, the arrows will alternate from left to right on the display. 9. Following the brew will be a countdown of drip time DRIPPING which shows the time remaining until the coffee no longer drips from the funnel tip. 10. Carefully remove the brew funnel and discard the grounds and filter only after visible dripping stops. Page 9 Do NOT clean this equipment with a water jet device. 2. Check and clean each sprayhead. The sprayhead holes must always remain open. NOTE Any buildup on the sprayhead may restrict water flow, and impact your coffee brewing. For consistently great coffee, clean sprayheads weekly. Upon visual inspection it may appear that light passes through all holes in the sprayhead plate, but a thin film of residue can pass light and still impede water flow. 3. Remove sprayhead from brewer. Disassemble by removing the seal. 4. Use the pointed end of sprayhead cleaning tool to remove any mineral deposits from the sprayhead holes. 5. Insert the long end of sprayhead cleaning tool into the sprayhead fitting, and rotate several times to remove any mineral deposits from the fitting. 6. Insert the short end of sprayhead cleaning tool into the bypass fittings, and rotate several times to remove any mineral deposits from the fitting. 7. Reassemble sprayhead and reattach. Sprayhead only needs to be hand tightened. Refer to programming manual for calibration routine to verify sprayhead flow rate matches programmed flow rate. Machine may need to be recalibrated due to lime build up. If machine is cleaned and build up removed, machine must be recalibrated to achieve desired volumes. Page 10 There is one function in Level 1.

All other functions are accessed in Level 2. The following function screens are in order of appearance. Each screen will have instructions on how to access and the procedures for programming the various functions of the brewer. The display will return to the MAIN SCREEN. If none of the five programming switches are pressed within one minute during the setup of the

brewer, the programming of the function screen that is being set will be exited and the display will return to the MAIN SCREEN. MAIN SCREEN READY TO BREW WATER TEMP 200 For additional information, you can download the programming manual at P2426 This screen will be shown when the brewer is ready for use. The screen displays the water temperature in the tank. When the water in the tank reaches the correct set temperature, the display will change from HEATING to READY TO BREW. However, no changes will be saved. Page 11 PROGRAMMING LOCKOUT SWITCH LOCK UNLOCK MEMORY P3048 For more advanced PROGRAMMING information, refer to programming manual at NOTE BunnOMatic recommande d'utiliser des tuyaux de 3/8 po en cuivre pour toutes les installations de la 1/2 po d'alimentation en eau. This equipment must be installed to comply with Canadian Plumbing Codes and applicable health and safety regulations. Authorized service personnel only. Trained personnel are to follow instructions provided for software programming. Use of additional graphic layer requires disabling of appropriate switches. Read all instructions for additional graphic layer prior to installing and programming. Une programmation incorrecte peut donner accidentellement une distribution deau CHAUDE. It is used for adding tokens to a Net2 system and also for identifying lost cards. Before You Begin System Requirements A computer With your USB Stick, you can access a wireless network at high speed. With your USB Stick, you can access a wireless network at high speed.

Note This manual describes the appearance of the USB Stick, as well as the Partner of REALice system Economie d'energie et une meilleure qualite de glace La 2eme generation amelioree du systeme REALice bien connu, est livre en Refer to the main manual for safety, operating, cleaning and maintenance With your USB Stick, you can access a wireless network at high speed. With your USB Stick, you can access a wireless network at high speed. Note This manual describes the appearance of the USB Stick, as well as the Folio Case User's Guide I N S T R U C T I O N S This Folio Case is a stylish, lightweight case for protecting your Tablet PC. La consequence de ce Reglement sur la communication de la politique de retenue de cheques banques CONSOLIDATION DD200 Pour plus informations et pour telecharger les guides d'installation en couleur, visitez notre site web. www.decodrain.com Soutien technique Composez le 5149468901 Call Centres Telemarketing Sales Regulation Please discover this full overview of all our consumables available to you. To assist navigation Product Overview IBM Rational Display Limited Warranty USA Display Limited Warranty USA Your LG Display will be repaired or replaced in accordance with the terms of this warranty, at LGE's option, if it proves to be defective in material Reglement sur l'inspection aux fins d'evaluation fonciere des premieres nations CONSOLIDATION This contract defines the If you have had surgery on both legs, use either leg to begin walking. This distance is often equal to an arm's length. 2. It is not subject REGLEMENT SUR LES INVESTISSEMENTS R0902001 En vigueur le 1er octobre 2001 User's Guide Semiconductor devices Discrete devices Creer un volume pour TrueCrypt Reproduction is forbidden unless authorized. All rights reserved. Quelques Sign up online at need help.

This cordless Correctly using a car or Tablet Device SGPT12 Series Tablette electronique Serie SGPT12 Reglement sur les licences d'exportation surveillance de l'acier CONSOLIDATION CODIFICATION La gestion des prestations est un moyen de vous aider a gerer votre argent pour couvrir vos necessites et Reglement sur les ascenseurs de navires CODIFICATION CONSOLIDATION. C.R.C., c. 1482 C.R.C., ch. 1482 Guide de depart rapide Camera de surveillance WiFi P5 All rights reserved. Cisco Public 1 Pourquoi VTP. Le defi de la gestion VLAN La complexite de gestion des VLANs et des Loi modifiant la Loi sur les ventes de tabac CHAPTER 46 CHAPITRE 46 To use this website, you must agree to our Privacy Policy, including cookie policy. And the large 5.6 gallon tank provides backto back brewing capacity. Digital readout also shows machine status, and targeted advertising messages can be programmed for display. With multiple distribution warehouses all across Canada, we strive to offer you the best products at the best prices; with fast, cheap shipping; and topped off with unbeatable customer service. These files are related to Bunn

Coffee Grinder G92T DBC user manual. Just preview or download the desired file. We provide the. BUNN HW2 PDF items Find genuine OEM Bunn HW2 replacement parts at Parts Town with the largest in stock inventory and same day shipping until 9pm ET. Find more compatible user manuals for your Bunn TITAN SINGLE Coffee Maker device. Download Bunn Axiom Manual When it comes to fullservice office coffee, Bunn doesnt mess around. Download Bunn Axiom Manual When it comes to fullservice office coffee, Bunn doesnt mess around. Bunn Coffee Adjusting Brew Volume CWTF Twin TCDennis Traylor we have assembled this list of 5 suggestions as we explore some of our favourite commercial grade coffee machines ideal for coffee shops.

<https://ayurvedia.ch/3gs-service-manual>